



**Lotus  
LED  
Lights**

**LED Lights Canada**  
Authorized Canadian Dealer



**Type IC, Wet & Air-Tight**

**DESCRIPTION**

3" Round Regressed Gimbal LED  
With Integral Driver In Connection Box  
Gimbal Yet Air-Tight Without Housing Needed

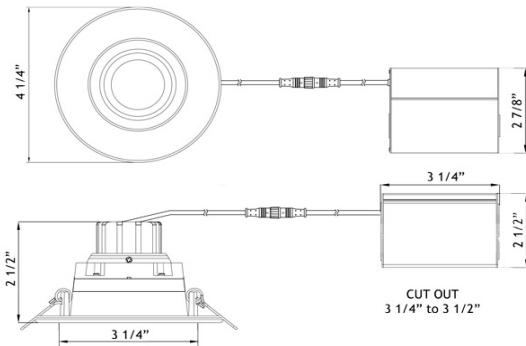
**FEATURES & BENEFITS**

2 1/2" Deep - Install Where Ceiling Space Is Limited  
Type IC Rated - No Housing Required  
Driver Inside Connection Box - No Junction Box Needed  
CRI 90+ for True Color Rendering  
Available in single CCT, Dim to Warm, & 5CCT

**MOUNTING**

Cut Hole In Ceiling And Snap Fixture In Opening  
With Attached Spring Clips  
Ceiling Clearance Required: 3 1/2"

**DIMENSIONS:** ID 3 1/4" OD 4 1/4" Cut Out 3 1/4" to 3 1/2"



**AVAILABLE TRIMS**



White



Black

**ORDERING GUIDE** Example: **LRG3 - 30K - WH**

	CCT	Trim Finish	Beam Angle
<b>LRG3</b>	- xxK	- xx	-
2700K	<b>27K</b>	<b>WH</b>	for 38° leave blank
3000K	<b>30K</b>	<b>BK</b>	- 15D spot 15°
3500K	<b>35K</b>		
4000K	<b>40K</b>		
5000K	<b>50K</b>		
DTW 3K-2K	<b>32K</b>	Dim to Warm	3000K to 2000K
5CCT	<b>5CCT</b>	User selectable	27-30-35-40-50K

Note: DTW & 5CCT available in 38° degree only

**LRG3**

**3" Round Regressed Gimbal LED 7.5W**

Project:

Location:

Cat #:

Qty:

Notes:

SPECIFICATION	
Applications	Sloped Ceilings up to 20°, General Lighting
Energy Used	7.5 W
Color Temperature	2700   3000   3500   4100   5000   DTW   5CCT
Light Output	580   600   620   630   650   500
Halogen Equivalent	50 W
Beam Angle	38° or 15° with 20° tilt and 360° rotation
CRI	90 +
Default Driver Input	120V AC Triac Dimmable
Optional Driver Input	120V-347V AC 0-10V Dimmable
Junction Box Wire Capacity	Max 5 No 12 AWG or 8 No 14 AWG
Power Factor	0.95
Approved Location	Insulated Ceiling & Wet Locations
IP Rating	IP 54
Air Tight	Yes
Ambient Temperature	-40°F (-40°C) to +104°F (+40°C)
Projected Life	70% Light Output at 50,000 Hours
Certification	cULus, Energy Star (except DTW & 5CCT), T24
Warranty	10 Year Residential / 5 Year Commercial

120V TRIAC Dimmable

Optional 120V-347V

Driver Included

Driver 0-10V Dimmable



Order Separately as  
Cat # **LLL-LD0716T**



**ACCESSORIES**

Sold Separately



Low Voltage Extension Cables  
6ft - cat # **EXC6**, 20ft - cat # **EXC20**  
Max 40 ft Allowed. FT4 / CMR rated



Flat Rough-In Plate - cat # **RIP312**



Flanged Plate with Hanger Bars  
- cat # **FRP312**

**COMPLIANCE**



**Type IC  
Air-Tight**

USA Patent # US 10,344,952 B2 | Canada Patent # 2,967,954